

# LEVELLING FEET

SF36

Levelling foot in PA6 with matte finish. Square in the bottom, hexagon socket at the top, and hexagon grip at the base for easy assembly and adjustment.



## STOCK COLORS

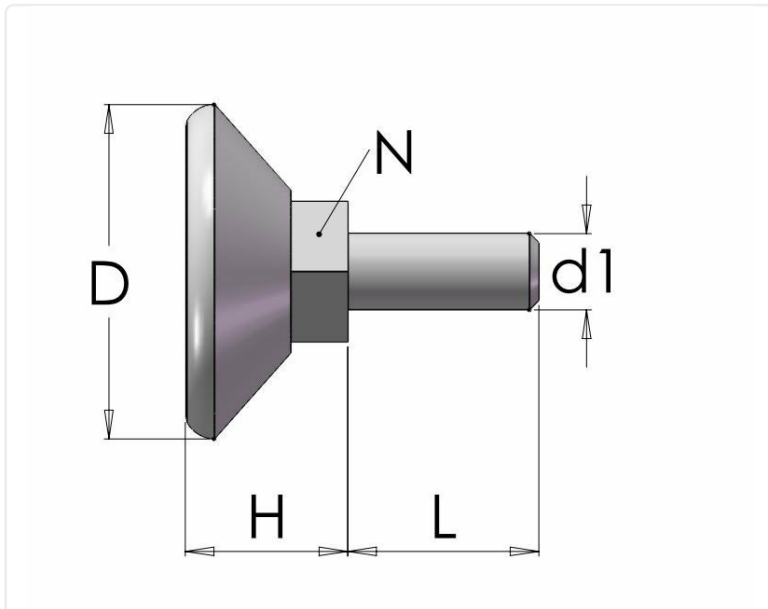
Black  
Additional RAL or custom colors on demand

## MATERIAL FASTENERS

Zinc-plated steel

## ADDITIONAL INFO

**Material:** Thermoplastic  
**Felt:** False  
**Articulated:** False  
**Hexagon socket at the top:** True



Article number	Material fasteners	Color	D	d1	H	L	N	Max. limit static load (kg)
SF36-901-35M8X15	-	Black	35	M8	16.5	15	17	400
SF36-901-35M8X20	-	Black	35	M8	16.5	20	17	400
SF36-901-35M8X25	-	Black	35	M8	16.5	25	17	400
SF36-901-35M8X30	-	Black	35	M8	16.5	30	17	400
SF36-901-35M8X40	-	Black	35	M8	16.5	40	17	400

Article number	Material fasteners	Color	D	d1	H	L	N	Max. limit static load (kg)
SF36-901-35M10X15	-	Black	35	M10	16.5	15	17	500
SF36-901-35M10X20	-	Black	35	M10	16.5	20	17	500
SF36-901-35M10X25	-	Black	35	M10	16.5	25	17	500
SF36-901-35M10X30	-	Black	35	M10	16.5	30	17	500
SF36-901-35M10X35	-	Black	35	M10	16.5	35	17	500
SF36-901-35M10X40	-	Black	35	M10	16.5	40	17	500
SF36-901-35M10X45	-	Black	35	M10	16.5	45	17	500
SF36-901-35M10X50	-	Black	35	M10	16.5	50	17	500
SF36-901-35M10X55	-	Black	35	M10	16.5	55	17	500
SF36-901-35M10X95	-	Black	35	M10	16.5	95	17	500