

LEVELLING FEET

SF65

Articulated levelling foot in zinc-plated steel. Can be angled 3 degrees. Screwdriver groove in the bottom and hexagon grip on the screw for easy assembly and adjustment. Holes in the base for ground mounting.



MATERIAL FASTENERS

Zinc-plated steel

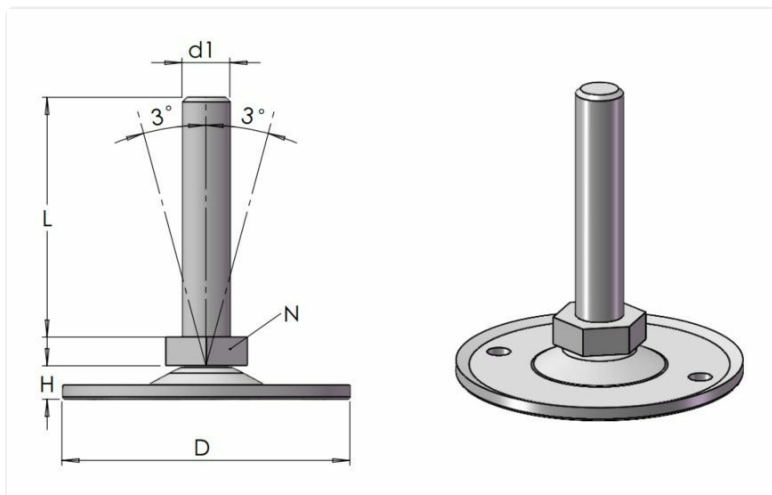
ADDITIONAL INFO

Material: Zinc-plated steel

Felt: False

Articulated: True

Hexagon socket at the top: False



| Article number | Material fasteners | Color | D | d1 | H | L | N | Max. limit static load (kg) |
|-------------------|--------------------|-------|----|-----|---|----|----|-----------------------------|
| SF65-160-30M8X30 | - | - | 30 | M8 | 6 | 30 | 17 | 600 |
| SF65-160-30M10X30 | - | - | 30 | M10 | 6 | 30 | 17 | 600 |
| SF65-160-40M8X20 | - | - | 40 | M8 | 6 | 20 | 13 | 400 |
| SF65-160-40M8X22 | - | - | 40 | M8 | 6 | 22 | 13 | 400 |
| SF65-160-40M8X30 | - | - | 40 | M8 | 6 | 30 | 13 | 400 |
| SF65-160-40M8X50 | - | - | 40 | M8 | 6 | 50 | 13 | 400 |
| SF65-160-40M10X16 | - | - | 40 | M10 | 6 | 16 | 17 | 600 |

| Article number | Material fasteners | Color | D | d1 | H | L | N | Max. limit static load (kg) |
|--------------------|--------------------|-------|----|-----|---|-----|----|-----------------------------|
| SF65-160-40M10X25 | - | - | 40 | M10 | 6 | 25 | 17 | 600 |
| SF65-160-40M10X30 | - | - | 40 | M10 | 6 | 30 | 17 | 600 |
| SF65-160-40M10X35 | - | - | 40 | M10 | 6 | 35 | 17 | 600 |
| SF65-160-40M10X40 | - | - | 40 | M10 | 6 | 40 | 17 | 600 |
| SF65-160-40M10X50 | - | - | 40 | M10 | 6 | 50 | 17 | 600 |
| SF65-160-40M10X60 | - | - | 40 | M10 | 6 | 60 | 17 | 600 |
| SF65-160-40M10X80 | - | - | 40 | M10 | 6 | 80 | 17 | 600 |
| SF65-160-40M12X25 | - | - | 40 | M12 | 6 | 25 | 19 | 600 |
| SF65-160-40M12X40 | - | - | 40 | M12 | 6 | 40 | 19 | 600 |
| SF65-160-40M12X50 | - | - | 40 | M12 | 6 | 50 | 19 | 600 |
| SF65-160-40M12X60 | - | - | 40 | M12 | 6 | 60 | 19 | 600 |
| SF65-160-40M12X80 | - | - | 40 | M12 | 6 | 80 | 19 | 600 |
| SF65-160-40M12X100 | - | - | 40 | M12 | 6 | 100 | 19 | 600 |
| SF65-160-50M10X50 | - | - | 50 | M10 | 6 | 50 | 17 | 600 |
| SF65-160-50M10X60 | - | - | 50 | M10 | 6 | 60 | 17 | 600 |
| SF65-160-60M8X20 | - | - | 60 | M8 | 6 | 20 | 17 | 600 |
| SF65-160-60M8X30 | - | - | 60 | M8 | 6 | 30 | 17 | 600 |
| SF65-160-60M10X20 | - | - | 60 | M10 | 6 | 20 | 17 | 600 |
| SF65-160-60M10X80 | - | - | 60 | M10 | 6 | 80 | 17 | 600 |
| SF65-160-60M12X80 | - | - | 60 | M12 | 6 | 80 | 17 | 600 |