

LEVELLING FEET

SR30

Levelling foot with divisible threaded insert for circular tubes.



STOCK COLORS

Black
Additional RAL or custom colors on demand

MATERIAL FASTENERS

Plastic

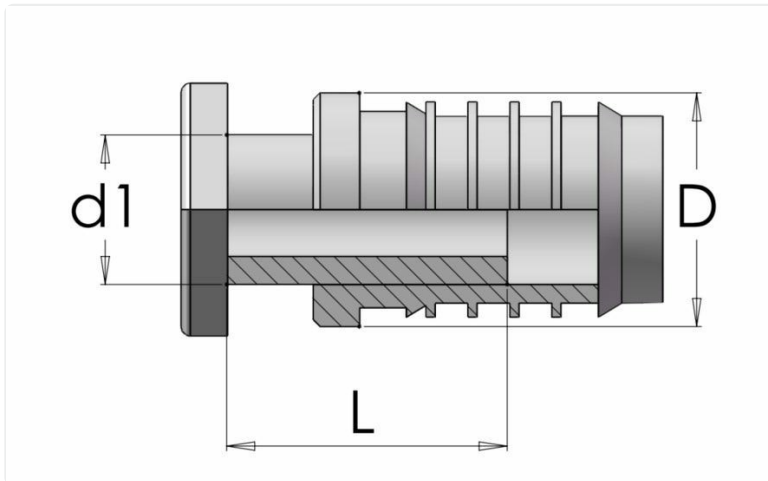
ADDITIONAL INFO

Material: Thermoplastic

Felt: False

Articulated: False

Hexagon socket at the top: False



Article number	Material fasteners	Color	D	d1	L	Tube thickness	Max. limit static load (kg)
SR30-20X1M12X30	-	Black	20	M12	30	1.0-1.5	150
SR30-20X2M12X30	-	Black	20	M12	30	2.0	150
SR30-22X2M12X30	-	Black	22	M12	30	1.5-2.0	150
SR30-22X2M12X50	-	Black	22	M12	50	1.0-1.5	150
SR30-25X1M16X30	-	Black	25	M16	30	1.5	150
SR30-25X2M16X30	-	Black	25	M16	30	2.0	150
SR30-28X1M16X30	-	Black	28	M16	30	1.0-2.0	150
SR30-30X2M16X30	-	Black	30	M16	30	1.5-2.0	200

Article number	Material fasteners	Color	D	d1	L	Tube thickness	Max. limit static load (kg)
SR30-30X2M22X30	-	Black	30	M22	30	1.5-2.0	200
SR30-30X2M22X50	-	Black	30	M22	50	1.5-2.0	200
SR30-32X1M22X30	-	Black	32	M22	30	1.0-2.0	200
SR30-32X1M22X50	-	Black	32	M22	50	1.0-2.0	200
SR30-35X2M22X30	-	Black	35	M22	30	1.5-2.0	200
SR30-35X2M22X50	-	Black	35	M22	50	1.5-2.0	200
SR30-38X1M22X30	-	Black	38	M22	30	1.5	200
SR30-38X1M22X50	-	Black	38	M22	50	1.5	200
SR30-38X2M22X30	-	Black	38	M22	30	2.0	200
SR30-38X2M22X50	-	Black	38	M22	50	2.0	200
SR30-40X1M22X30	-	Black	40	M22	30	1.0-1.5	200
SR30-40X1M22X50	-	Black	40	M22	50	1.0-1.5	200
SR30-40X2M22X30	-	Black	40	M22	30	2.0	200
SR30-40X2M22X50	-	Black	40	M22	50	2.0	200
SR30-42X2M22X30	-	Black	42	M22	30	1.5-2.0	200
SR30-42X2M22X50	-	Black	42	M22	50	1.5-2.0	200
SR30-42X2M22X80	-	Black	42	M22	80	1.5-2.0	200
SR30-45X2M22X30	-	Black	45	M22	30	1.5-2.0	250
SR30-45X2M22X50	-	Black	45	M22	50	1.5-2.0	250
SR30-45X2M22X80	-	Black	45	M22	80	1.5-2.0	250
SR30-48X2M22X30	-	Black	48	M22	30	2.0	250
SR30-48X2M22X50	-	Black	48	M22	50	2.0	250
SR30-48X2M22X80	-	Black	48	M22	80	2.0	250
SR30-50X2M22X30	-	Black	50	M22	30	1.5-2.0	250
SR30-50X2M22X50	-	Black	50	M22	50	1.5-2.0	250
SR30-50X2M22X80	-	Black	50	M22	80	1.5-2.0	250