

# TUBE CONNECTORS

## GI38

Expanding tube connector in PA6 with a nut in the lower part. For round tubes.



### STOCK COLORS

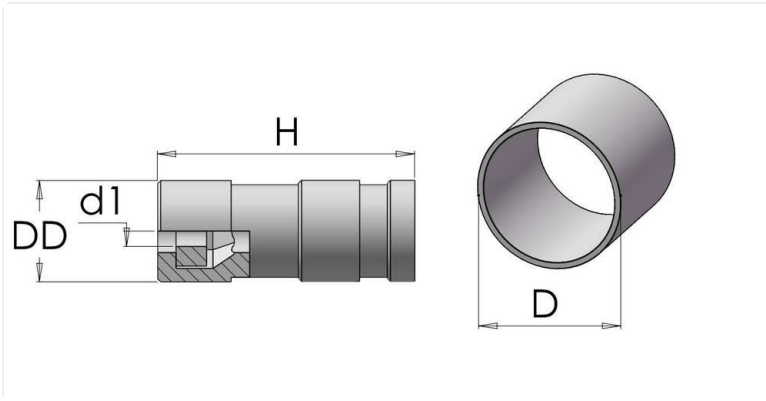
Black  
Additional RAL or custom colors on demand

### MATERIAL FASTENERS

Zinc-plated steel

### ADDITIONAL INFO

**Material:** Thermoplastic



Article number	Material fasteners	Color	D	d1	DD	H	Tube thickness
GI38-901-16X1M6	-	Black	16	M6	14	42	1.0
GI38-901-19X1.5M6	-	Black	19	M6	16	42	1.5
GI38-901-20X1.5M8	-	Black	20	M8	17	42	1.5
GI38-901-20X2M8	-	Black	20	M8	16	42	2.0
GI38-901-22X1,5M6	-	Black	22	M6	19	42	1.5
GI38-901-22X1.5M8	-	Black	22	M8	19	42	1.5
GI38-901-25X1.5M8	-	Black	25	M8	22	42	1.5
GI38-901-28X1.5M8	-	Black	28	M8	25	42	1.5
GI38-901-30X1.5M8	-	Black	30	M8	27	42	1.5

Article number	Material fasteners	Color	D	d1	DD	H	Tube thickness
GI38-901-40X1.5M8	-	Black	40	M8	37	44	1.5
GI38-901-45X1.5M10	-	Black	45	M10	41	44	2.0
GI38-901-50X1.5M10	-	Black	50	M10	47	42	1.5