

CYLINDRICAL HANDLES

HS10 SCREW

Revolving cylindrical handle in PA6 with threaded stud. Available in glossy and matte finish.



STOCK COLORS

Black
Additional RAL or custom colors on demand

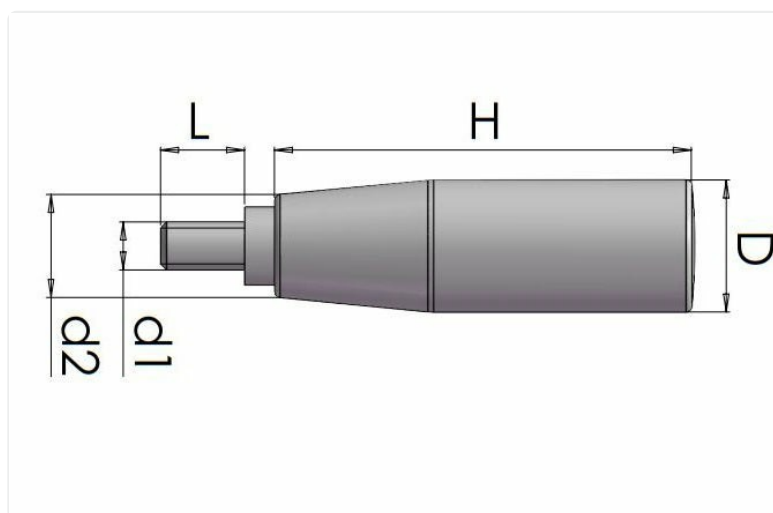
MATERIAL FASTENERS

Zinc-plated steel

ADDITIONAL INFO

Type of fastener: Threaded stud

Material: Thermoplastic



Article number	Material fasteners	Color	D	d1	d2	H	L
HS10-900-70M8X12	-	Black	21	M8	17	70	12
HS10-900-84M10X16	-	Black	25	M10	20	84	16
HS10-901-39M6X10	-	Black	16	M6	13	39	10
HS10-901-58M8X12	-	Black	21	M8	16	58	12
HS10-901-70M8X12	-	Black	21	M8	17	70	12
HS10-901-84M10X16	-	Black	25	M10	20	84	16
HS10-901-90M10X20	-	Black	25	M10	20	90	20

Article number	Material fasteners	Color	D	d1	d2	H	L
HS10-901-90M12X20	-	Black	25	M12	20	90	20