

# T-HANDLES

## TH20 TAPP

T-Handle in PA6 with matte finish. Threaded stud.



### STOCK COLORS

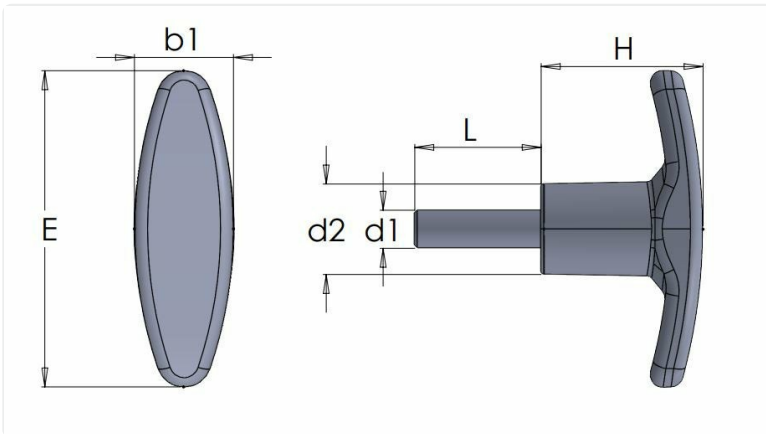
Black  
Additional RAL or custom colors on demand

### MATERIAL FASTENERS

Zinc-plated steel

### ADDITIONAL INFO

**Type of fastener:** Threaded stud  
**Material:** Thermoplastic



Article number	Material fasteners	Color	b1	d1	d2	E	H	L
TH20-901-50M5X15	-	Black	15	M5	14	50	26	15
TH20-901-50M5X20	-	Black	15	M5	14	50	26	20
TH20-901-50M5X25	-	Black	15	M5	14	50	26	25
TH20-901-50M5X30	-	Black	15	M5	14	50	26	30
TH20-901-50M5X35	-	Black	15	M5	14	50	26	35
TH20-901-50M5X40	-	Black	15	M5	14	50	26	40
TH20-901-50M6X10	-	Black	15	M6	14	50	26	10
TH20-901-50M6X15	-	Black	15	M6	14	50	26	15
TH20-901-50M6X20	-	Black	15	M6	14	50	26	20

Article number	Material fasteners	Color	b1	d1	d2	E	H	L
TH20-901-50M6X25	-	Black	15	M6	14	50	26	25
TH20-901-50M6X30	-	Black	15	M6	14	50	26	30
TH20-901-50M6X35	-	Black	15	M6	14	50	26	35
TH20-901-50M6X40	-	Black	15	M6	14	50	26	40