

INDEXING PLUNGERS

IB13

Indexing plunger with knob in matte PA6, body in zinc-plated steel or stainless steel.



STOCK COLORS

Black
Additional RAL or custom colors on demand

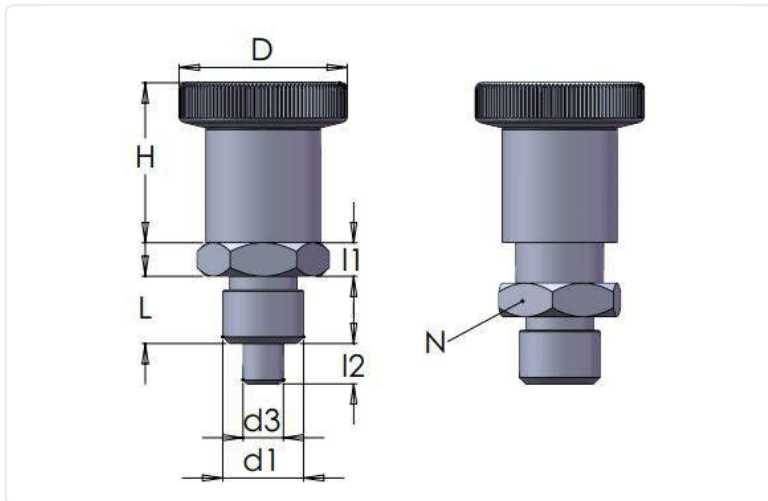
MATERIAL FASTENERS

Zinc-plated steel / Stainless steel

ADDITIONAL INFO

Type of fastener: Threaded stud

Material: Thermoplastic



Article number	Material fasteners	Color	D	d1	d3	H	L	I1	I2	N
IB13-901-25M12X6-6	-	Black	25	M12X1.5	6	24	10	5	6	17
IB13-901-25M12X6-6A2	-	Black	25	M12X1.5	6	24	10	5	6	17
IB13-901-31M16X8-8	-	Black	31	M16X1.5	8	28	12	6	8	19
IB13-901-31M16X8-8A2	-	Black	31	M16X1.5	8	30	12	6	8	19