

KRYSSRATT

R35 TAPP



STANDARD FARGE

Sort
Ekstra RAL eller spesialfarger på forespørsel

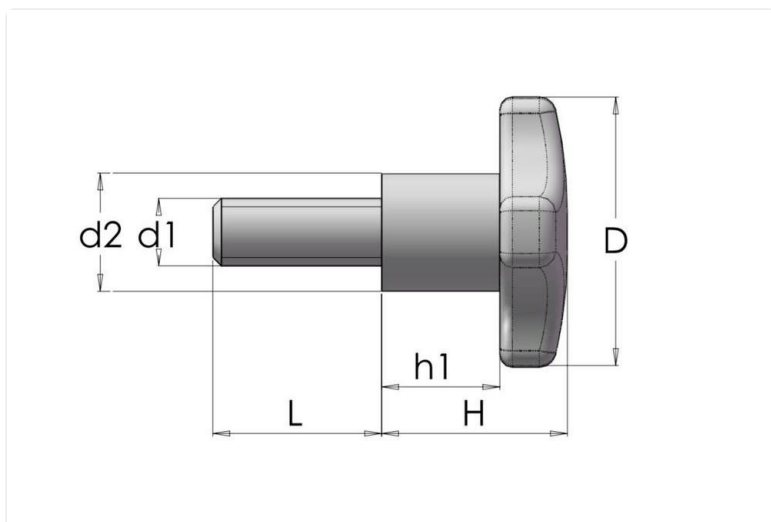
MATERIAL FESTEMIDLER

Galvanisert stål

ANNEN INFORMASJON

Typ av fästelement: Gjenget stift

Material: Termoplast



Artikkelnummer	Material festemidler	Farge	D	d1	d2	H	h1	L
R35-900-32M4X10	Galvanisert stål	Sort	32	M4	14	22	14	10
R35-900-32M4X15	Galvanisert stål	Sort	32	M4	14	22	14	15
R35-900-32M4X20	Galvanisert stål	Sort	32	M4	14	22	14	20
R35-900-32M4X30	Galvanisert stål	Sort	32	M4	14	22	14	30
R35-900-32M5X10	Galvanisert stål	Sort	32	M5	14	22	14	10
R35-900-32M5X20	Galvanisert stål	Sort	32	M5	14	22	14	20
R35-900-32M5X30	Galvanisert stål	Sort	32	M5	14	22	14	30
R35-900-32M5X35	Galvanisert stål	Sort	32	M5	14	22	14	35

Artikkelnummer	Material festemidler	Farge	D	d1	d2	H	h1	L
R35-900-32M5X40	Galvanisert stål	Sort	32	M5	14	22	14	40
R35-900-32M5X50	Galvanisert stål	Sort	32	M5	14	22	14	50
R35-900-32M5X65	Galvanisert stål	Sort	32	M5	14	22	14	65
R35-900-32M5X70	Galvanisert stål	Sort	32	M5	14	22	14	70
R35-900-32M6X7	Galvanisert stål	Sort	32	M6	14	22	14	7
R35-900-32M6X8	Galvanisert stål	Sort	32	M6	14	22	14	8
R35-900-32M6X10	Galvanisert stål	Sort	32	M6	14	22	14	10
R35-900-32M6X12	Galvanisert stål	Sort	32	M6	14	22	14	12
R35-900-32M6X15	Galvanisert stål	Sort	32	M6	14	22	14	15
R35-900-32M6X20	Galvanisert stål	Sort	32	M6	14	22	14	20
R35-900-32M6X25	Galvanisert stål	Sort	32	M6	14	22	14	25
R35-900-32M6X30	Galvanisert stål	Sort	32	M6	14	22	14	30
R35-900-32M6X35	Galvanisert stål	Sort	32	M6	14	22	14	35
R35-900-32M6X40	Galvanisert stål	Sort	32	M6	14	22	14	40
R35-900-32M6X45	Galvanisert stål	Sort	32	M6	14	22	14	45
R35-900-32M6X50	Galvanisert stål	Sort	32	M6	14	22	14	50
R35-900-32M6X60	Galvanisert stål	Sort	32	M6	14	22	14	60
R35-900-32M6X70	Galvanisert stål	Sort	32	M6	14	22	14	70
R35-900-32M6X80	Galvanisert stål	Sort	32	M6	14	22	14	80
R35-900-32M8X10	Galvanisert stål	Sort	32	M8	14	22	14	10
R35-900-32M8X15	Galvanisert stål	Sort	32	M8	14	22	14	15
R35-900-32M8X20	Galvanisert stål	Sort	32	M8	14	22	14	20
R35-900-32M8X25	Galvanisert stål	Sort	32	M8	14	22	14	25
R35-900-32M8X30	Galvanisert stål	Sort	32	M8	14	22	14	30
R35-900-32M8X35	Galvanisert stål	Sort	32	M8	14	22	14	35
R35-900-32M8X40	Galvanisert stål	Sort	32	M8	14	22	14	40
R35-900-32M8X50	Galvanisert stål	Sort	32	M8	14	22	14	50
R35-900-32M8X60	Galvanisert stål	Sort	32	M8	14	22	14	60
R35-900-32M8X70	Galvanisert stål	Sort	32	M8	14	22	14	70
R35-900-32M8X80	Galvanisert stål	Sort	32	M8	14	22	14	80
R35-900-50M8X10	Galvanisert stål	Sort	50	M8	20	31	19	10
R35-900-50M8X15	Galvanisert stål	Sort	50	M8	20	31	19	15
R35-900-50M8X20	Galvanisert stål	Sort	50	M8	20	31	19	20
R35-900-50M8X25	Galvanisert stål	Sort	50	M8	20	31	19	25
R35-900-50M8X30	Galvanisert stål	Sort	50	M8	20	31	19	30
R35-900-50M8X35	Galvanisert stål	Sort	50	M8	20	31	19	35
R35-900-50M8X40	Galvanisert stål	Sort	50	M8	20	31	19	40
R35-900-50M8X50	Galvanisert stål	Sort	50	M8	20	31	19	50
R35-900-50M8X55	Galvanisert stål	Sort	50	M8	20	31	19	55
R35-900-50M8X60	Galvanisert stål	Sort	50	M8	20	31	19	60

Artikkelnummer	Material festemidler	Farge	D	d1	d2	H	h1	L
R35-900-50M8X70	Galvanisert stål	Sort	50	M8	20	31	19	70
R35-900-50M8X80	Galvanisert stål	Sort	50	M8	20	31	19	80
R35-900-50M10X15	Galvanisert stål	Sort	50	M10	20	31	19	15
R35-900-50M10X20	Galvanisert stål	Sort	50	M10	20	31	19	20
R35-900-50M10X25	Galvanisert stål	Sort	50	M10	20	31	19	25
R35-900-50M10X30	Galvanisert stål	Sort	50	M10	20	31	19	30
R35-900-50M10X40	Galvanisert stål	Sort	50	M10	20	31	19	40
R35-900-50M10X50	Galvanisert stål	Sort	50	M10	20	31	19	50
R35-900-50M10X50A2	Galvanisert stål	Sort	50	M10	20	31	19	50
R35-900-50M10X60	Galvanisert stål	Sort	50	M10	20	31	19	60
R35-900-50M10X70	Galvanisert stål	Sort	50	M10	20	31	19	70
R35-900-50M10X80	Galvanisert stål	Sort	50	M10	20	31	19	80
R35-900-50M12X50	Galvanisert stål	Sort	50	M12	20	31	19	50
R35-900-60M8X15	Galvanisert stål	Sort	60	M8	23	40	23	15
R35-900-60M8X20	Galvanisert stål	Sort	60	M8	23	40	23	20
R35-900-60M8X30	Galvanisert stål	Sort	60	M8	23	40	23	30
R35-900-60M8X50	Galvanisert stål	Sort	60	M8	23	40	23	50
R35-900-60M8X60	Galvanisert stål	Sort	60	M8	23	40	23	60
R35-900-60M8X75	Galvanisert stål	Sort	60	M8	23	40	23	75
R35-900-60M10X20	Galvanisert stål	Sort	60	M10	23	40	23	20
R35-900-60M10X25	Galvanisert stål	Sort	60	M10	23	40	23	25
R35-900-60M10X30	Galvanisert stål	Sort	60	M10	23	40	23	30
R35-900-60M10X40	Galvanisert stål	Sort	60	M10	23	40	23	40
R35-900-60M10X50	Galvanisert stål	Sort	60	M10	23	40	23	50
R35-900-60M10X60	Galvanisert stål	Sort	60	M10	23	40	23	60
R35-900-60M10X70	Galvanisert stål	Sort	60	M10	23	40	23	70
R35-900-60M10X80	Galvanisert stål	Sort	60	M10	23	40	23	80
R35-900-60M12X20	Galvanisert stål	Sort	60	M12	23	40	23	20
R35-900-60M12X30	Galvanisert stål	Sort	60	M12	23	40	23	30
R35-900-60M12X40	Galvanisert stål	Sort	60	M12	23	40	23	40
R35-900-60M12X50	Galvanisert stål	Sort	60	M12	23	40	23	50
R35-900-60M12X60	Galvanisert stål	Sort	60	M12	23	40	23	60
R35-900-60M12X65	Galvanisert stål	Sort	60	M12	23	40	23	65
R35-900-60M12X70	Galvanisert stål	Sort	60	M12	23	40	23	70
R35-900-60M12X80	Galvanisert stål	Sort	60	M12	23	40	23	80
R35-900-60M12X90	Galvanisert stål	Sort	60	M12	23	40	23	90