

KRYSSRATT

R84 TAPP



STANDARD FARGE

Sort
Ekstra RAL eller spesialfarger på forespørsel

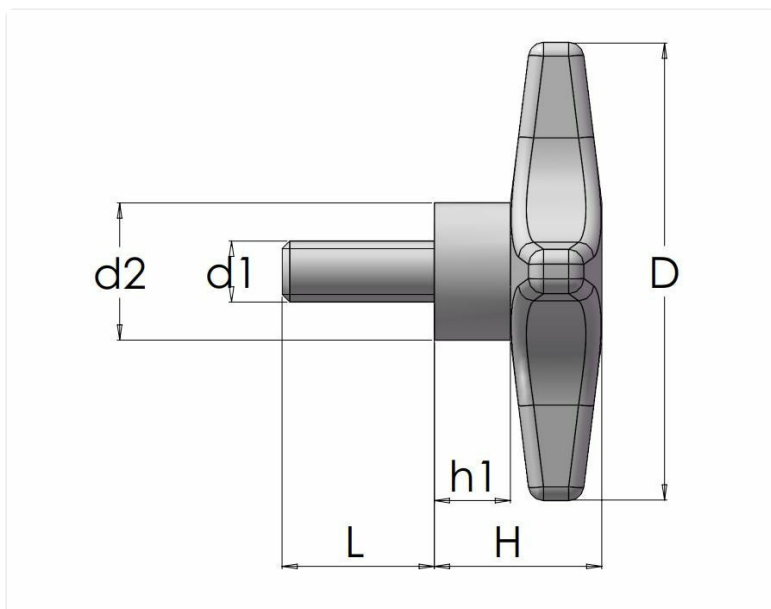
MATERIAL FESTEMIDLER

Galvanisert stål

ANNEN INFORMASJON

Typ av fästelement: Gjenget stift

Material: Termoplast



Artikkelnummer	Material festemidler	Farge	D	d1	d2	H	h1	L
R84-901-40M6X10	Galvanisert stål	Sort	40	M6	16	17	9,5	10
R84-901-40M6X15	Galvanisert stål	Sort	40	M6	16	17	9,5	15
R84-901-40M6X20	Galvanisert stål	Sort	40	M6	16	17	9,5	20
R84-901-40M6X25	Galvanisert stål	Sort	40	M6	16	17	9,5	25
R84-901-40M6X30	Galvanisert stål	Sort	40	M6	16	17	9,5	30
R84-901-40M6X35	Galvanisert stål	Sort	40	M6	16	17	9,5	35

Artikkelnummer	Material festemidler	Farge	D	d1	d2	H	h1	L
R84-901-40M6X40	Galvanisert stål	Sort	40	M6	16	17	9,5	40
R84-901-40M6X45	Galvanisert stål	Sort	40	M6	16	17	9,5	45
R84-901-40M8X11	Galvanisert stål	Sort	40	M8	16	17	9,5	11
R84-901-40M8X15	Galvanisert stål	Sort	40	M8	16	17	9,5	15
R84-901-40M8X20	Galvanisert stål	Sort	40	M8	16	17	9,5	20
R84-901-40M8X25	Galvanisert stål	Sort	40	M8	16	17	9,5	25
R84-901-40M8X30	Galvanisert stål	Sort	40	M8	16	17	9,5	30
R84-901-40M8X35	Galvanisert stål	Sort	40	M8	16	17	9,5	35
R84-901-40M8X40	Galvanisert stål	Sort	40	M8	16	17	9,5	40
R84-901-40M8X45	Galvanisert stål	Sort	40	M8	16	17	9,5	45
R84-901-40M8X60	Galvanisert stål	Sort	40	M8	16	17	9,5	60
R84-901-60M6X10	Galvanisert stål	Sort	60	M6	18	22	10	10
R84-901-60M6X15	Galvanisert stål	Sort	60	M6	18	22	10	15
R84-901-60M6X20	Galvanisert stål	Sort	60	M6	18	22	10	20
R84-901-60M6X25	Galvanisert stål	Sort	60	M6	18	22	10	25
R84-901-60M6X30	Galvanisert stål	Sort	60	M6	18	22	10	30
R84-901-60M6X35	Galvanisert stål	Sort	60	M6	18	22	10	35
R84-901-60M6X40	Galvanisert stål	Sort	60	M6	18	22	10	40
R84-901-60M8X10	Galvanisert stål	Sort	60	M8	18	22	10	10
R84-901-60M8X13	Galvanisert stål	Sort	60	M8	18	22	10	13
R84-901-60M8X15	Galvanisert stål	Sort	60	M8	18	22	10	15
R84-901-60M8X20	Galvanisert stål	Sort	60	M8	18	22	10	20
R84-901-60M8X25	Galvanisert stål	Sort	60	M8	18	22	10	25
R84-901-60M8X30	Galvanisert stål	Sort	60	M8	18	22	10	30
R84-901-60M8X35	Galvanisert stål	Sort	60	M8	18	22	10	35
R84-901-60M8X40	Galvanisert stål	Sort	60	M8	18	22	10	40
R84-901-60M8X50	Galvanisert stål	Sort	60	M8	18	22	10	50
R84-901-60M8X60	Galvanisert stål	Sort	60	M8	18	22	10	60
R84-901-60M8X70	Galvanisert stål	Sort	60	M8	18	22	10	70
R84-901-60M10X20	Galvanisert stål	Sort	60	M10	18	22	10	20
R84-901-60M10X25	Galvanisert stål	Sort	60	M10	18	22	10	25
R84-901-60M10X30	Galvanisert stål	Sort	60	M10	18	22	10	30
R84-901-60M10X35	Galvanisert stål	Sort	60	M10	18	22	10	35
R84-901-60M10X40	Galvanisert stål	Sort	60	M10	18	22	10	40
R84-901-60M10X45	Galvanisert stål	Sort	60	M10	18	22	10	45
R84-901-60M10X50	Galvanisert stål	Sort	60	M10	18	22	10	50
R84-901-60M10X60	Galvanisert stål	Sort	60	M10	18	22	10	60
R84-901-60M10X70	Galvanisert stål	Sort	60	M10	18	22	10	70
R84-901-80M8X14	Galvanisert stål	Sort	80	M8	22	40	28	14
R84-901-80M8X20	Galvanisert stål	Sort	80	M8	22	40	28	20

Artikkelnummer	Material festemidler	Farge	D	d1	d2	H	h1	L
R84-901-80M8X25	Galvanisert stål	Sort	80	M8	22	40	28	25
R84-901-80M8X30	Galvanisert stål	Sort	80	M8	22	40	28	30
R84-901-80M8X40	Galvanisert stål	Sort	80	M8	22	40	28	40
R84-901-80M8X50	Galvanisert stål	Sort	80	M8	22	40	28	50
R84-901-80M8X60	Galvanisert stål	Sort	80	M8	22	40	28	60
R84-901-80M8X70	Galvanisert stål	Sort	80	M8	22	40	28	70
R84-901-80M10X20	Galvanisert stål	Sort	80	M10	22	40	28	20
R84-901-80M10X30	Galvanisert stål	Sort	80	M10	22	40	28	30
R84-901-80M10X40	Galvanisert stål	Sort	80	M10	22	40	28	40
R84-901-80M10X50	Galvanisert stål	Sort	80	M10	22	40	28	50
R84-901-80M10X60	Galvanisert stål	Sort	80	M10	22	40	28	60
R84-901-80M10X70	Galvanisert stål	Sort	80	M10	22	40	28	70